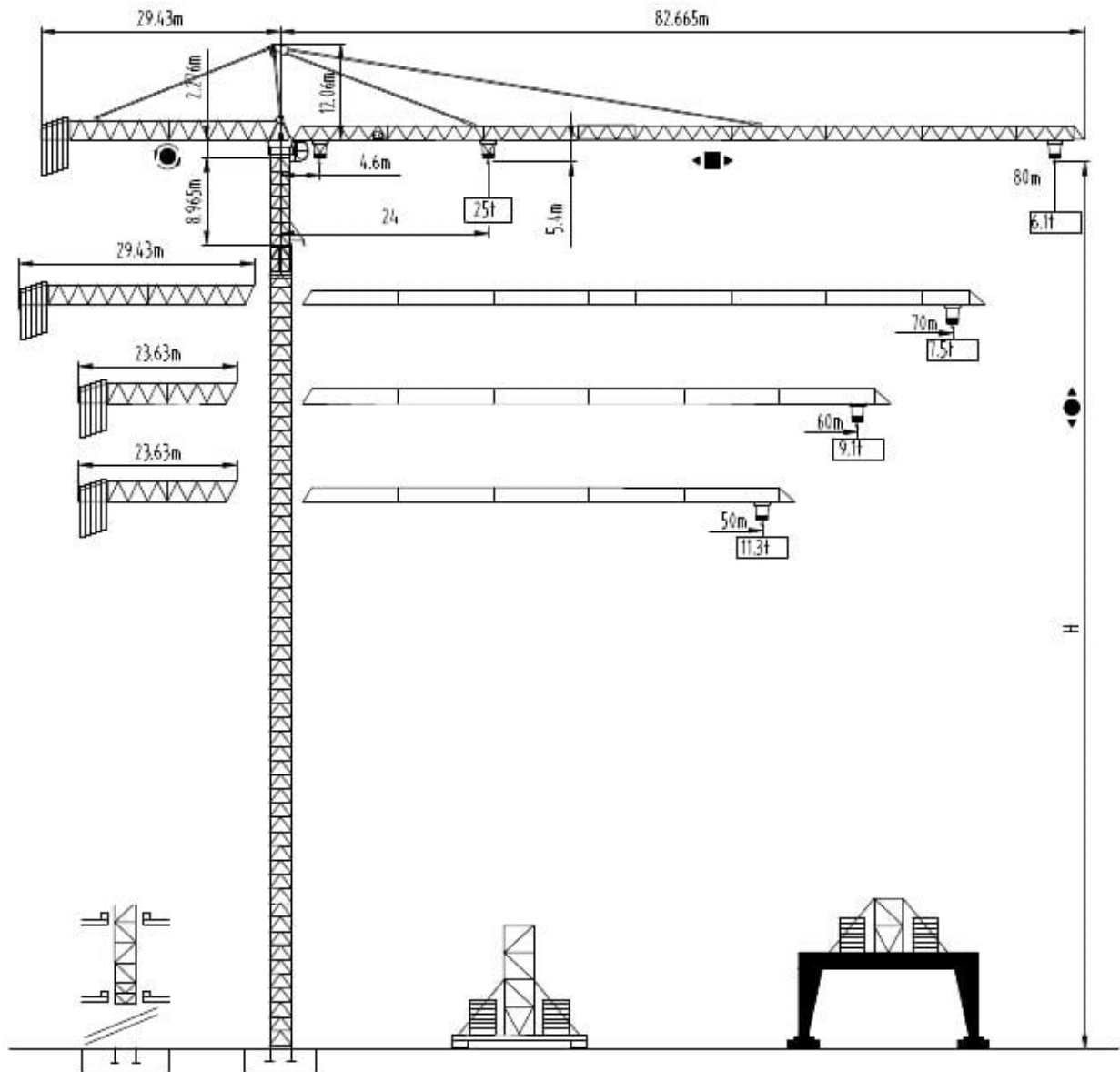




沈阳三洋建筑机械有限公司
SHENYANG SANYO BUILDING MACHINERY CO., LTD

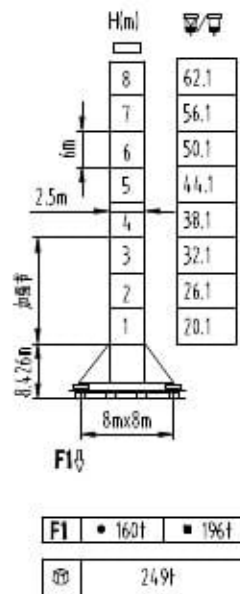
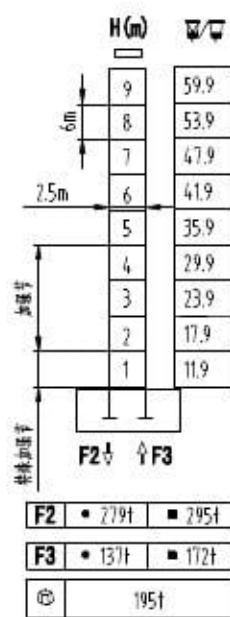
TOWER CRANE QTZ型588tm
(S650 M25)





塔身截面 Mast □ 2.5m×2.5m

50-80m

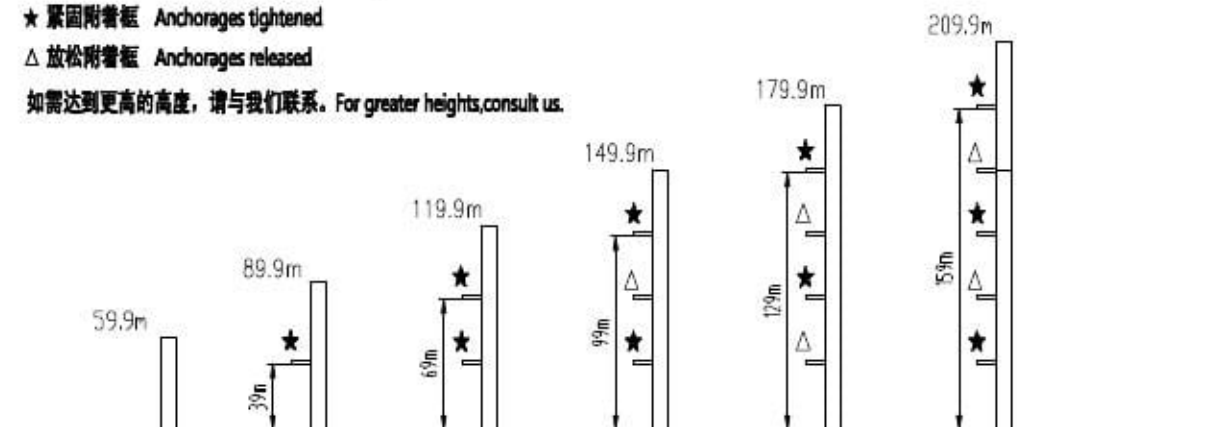


固定式附着高度 Anchoring height of stationary crane

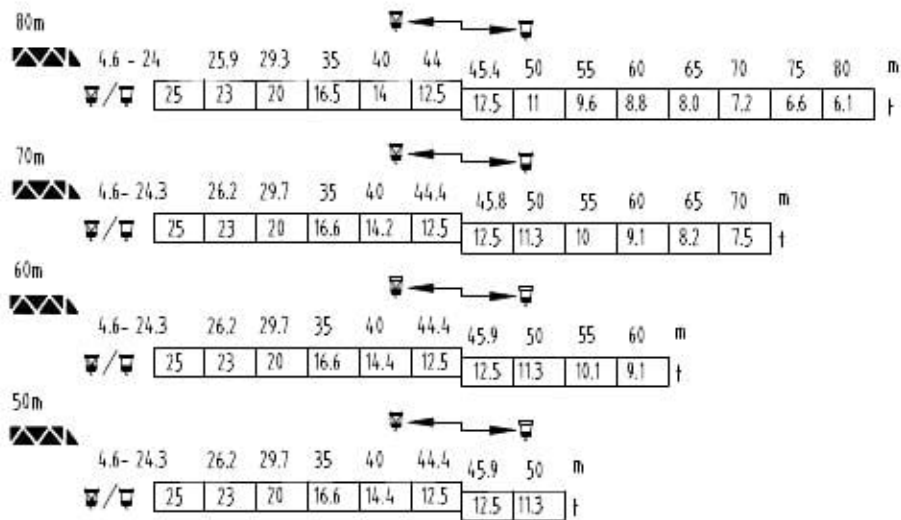
★ 紧固附着框 Anchorages tightened

△ 放松附着框 Anchorages released

如需达到更高的高度, 请与我们联系。For greater heights, consult us.



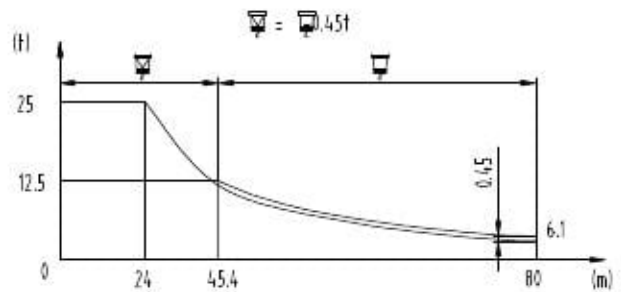
载荷特性 Load diagrams



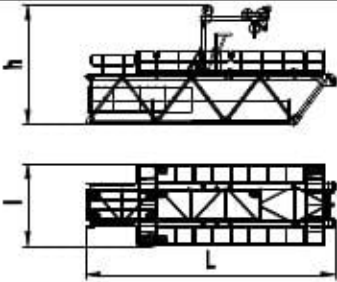
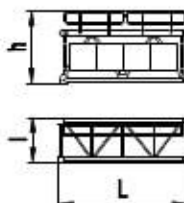
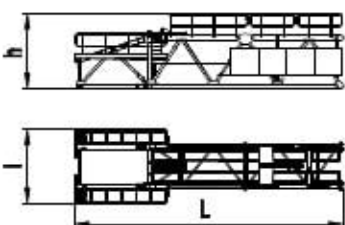
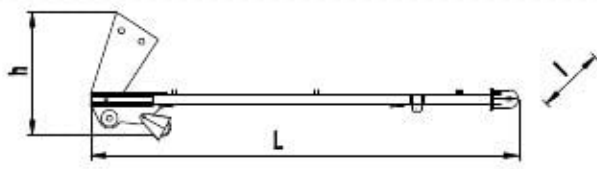
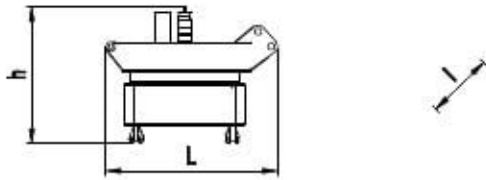
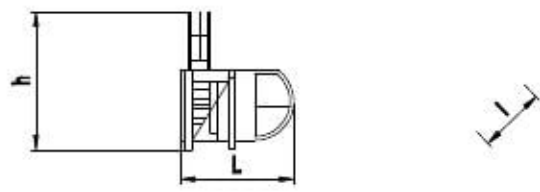
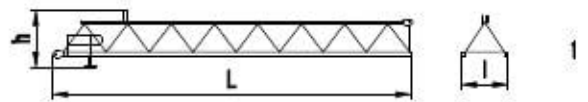
□/□标准小车可使用 2/4倍率绳 standard trolley 2/4 fall.

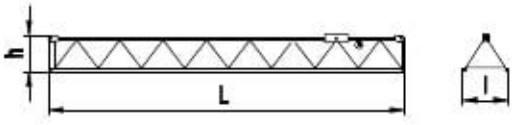
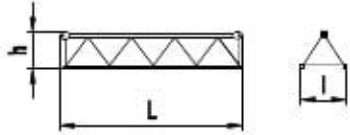
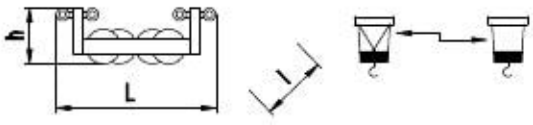

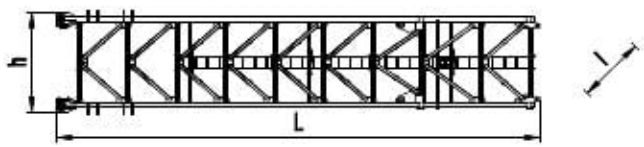
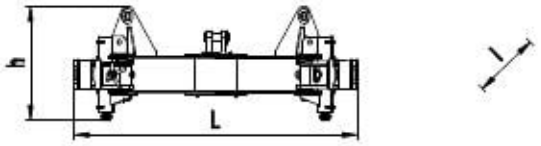
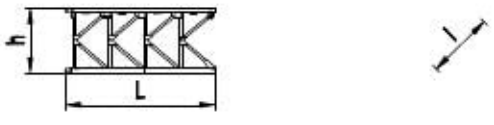
使用四倍率时, 应从二倍率的载荷中减去0.45吨

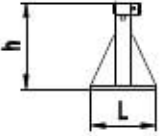
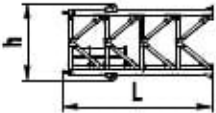
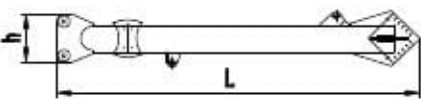
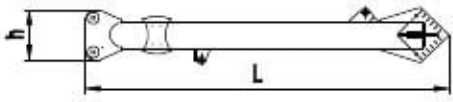
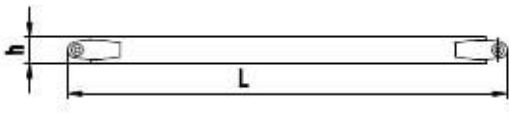
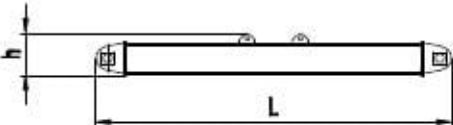
When using □ subtract 0.45t from the loads □









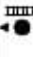
外形尺寸重量表 Dimensions weights


| 塔机回转部分 Slewing | | L(m) | l(m) | h(m) | Kg |
|-------------------------------------|--|-------|-------|------|-------|
| 平衡臂根节 Counter-jib root |  | 12.2 | 4 | 3.55 | 10608 |
| 平衡臂中节 Counter-jib middle section |  | 6.02 | 2.1 | 3.4 | 3232 |
| 平衡臂端节 Counter-jib nose |  | 12.2 | 3.4 | 3.4 | 10493 |
| 塔头 Cat-head |  | 10.45 | 2.23 | 2.4 | 3880 |
| 回转机构 Slewing mechanism |  | 3.865 | 2.8 | 3.2 | 22031 |
| 司机室 Cab |  | 4.885 | 1.385 | 2.4 | 1865 |
| 起重臂节 Jib section |  | 10.33 | 2.14 | 2.42 | 4683 |

| 塔机回转部分 Slewing | | L(m) | l(m) | h(m) | Kg | |
|---|--|-------|-------|-------|-------|------|
| 起重臂节 Jib section |  | 2 | 10.42 | 1.9 | 2.15 | 3844 |
| | | 3 | 10.37 | 1.9 | 2.15 | 3734 |
| | | 5 | 10.32 | 1.9 | 2.1 | 3213 |
| | | 6 | 10.32 | 1.9 | 2.1 | 3036 |
| | | 7 | 10.32 | 1.9 | 1.9 | 2395 |
| | | 8 | 10.30 | 1.9 | 1.9 | 2013 |
| 起重臂节 Jib section |  | 4 | 5.32 | 1.9 | 2.15 | 1755 |
| | | 9 | 5.30 | 1.9 | 1.85 | 948 |
| 空偏小车 Trolley |  | 2.97 | 2.314 | 1.57 | 1430 | |
| 吊钩滑轮组 Hook assembly |  | 1.746 | 0.397 | 3.03 | 1096 | |
| 顶升装置 Telescoping equipment | | L(m) | l(m) | h(m) | Kg | |
| 内塔节 Inner mast section |  | 12.18 | 2.51 | 2.51 | 15500 | |
| 十字梁 Cross-beam |  | 2.34 | 2.34 | 1.13 | 5283 | |
| 塔身 Mast | | L(m) | l(m) | h(m) | Kg | |
| 标准节 Standard mast 加强节 Reinforcing mast 特殊加强节 Special reinforcing mast |  | 6.285 | 2.695 | 2.695 | 6814 | |
| | | 6.285 | 2.695 | 2.695 | 8036 | |
| | | 6.285 | 2.695 | 2.695 | 9344 | |




| 底部 Base | | L(m) | l(m) | h(m) | Kg |
|------------------------------|---|-------|-------|-------|-------|
| 固定支脚 Fixing angles |  | 0.8 | 0.8 | 1.325 | 600x4 |
| 底架塔节 Chassis mast section |  | 6.285 | 3.36 | 3.36 | 11190 |
| 底梁1 Chassis beam 1 |  | 6.755 | 1.2 | 1 | 4600 |
| 底梁2 Chassis beam 2 |  | 6.755 | 1.2 | 1 | 4872 |
| 拉杆 Tie-bar |  | 6.109 | 0.402 | 0.26 | 1120 |
| 底架撑杆 Brace rod |  | 8.616 | 0.37 | 0.42 | 2000 |



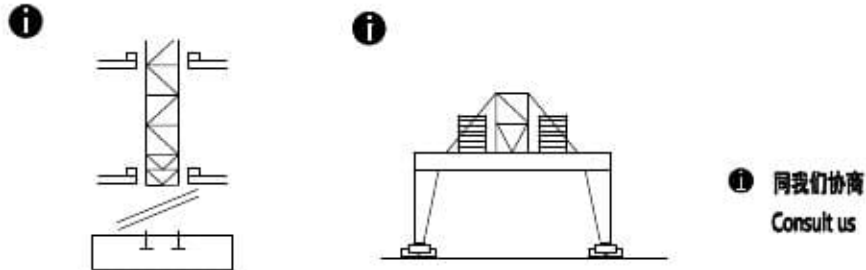
| 机构特性 Mechanisms specification | | |  | | | | |  | | | | |  | Kw | |
|----------------------------------|---|---------|---|-------|------|------|------|---|------|-----|------|------|---|------------|----|
| 起升 Hoisting |  | 90LVF | n/min | 0-2.8 | 0-14 | 0-28 | 0-42 | 0-56 | 0-14 | 0-7 | 0-14 | 0-21 | 0-28 | 800 | 90 |
| | | | f | 12.5 | 12.5 | 12.5 | 6.25 | 3.125 | 25 | 25 | 25 | 12.5 | 6.25 | | |
| 变幅 Trolleying |  | 11TVF | m/min | 0-45 | | | | | | | | | | 11 | |
| 回转 Slewing |  | 9SVF | r/min | 0-0.6 | | | | | | | | | | 9x3 | |
| | | 14.5SVT | | | | | | | | | | | | 14.5Nm x 3 | |
| 行走 Travelling |  | 5.2TRVF | m/min | 0-15 | | | | | | | | | | 5.2x6 | |

| | | |
|--|--------------------------|-----------------------|
|  电源 | Power Supply | 380V 50Hz / 440V 60Hz |
| KVA 供电容量 | Necessary Electric Power | 200KVA |

平衡臂配置
Counter-jib ballast

|  |  |  (t) |
|---|---|---|
| 80m | 29.43m | 40.5 |
| 70m | 29.43m | 35.3 |
| 60m | 23.63m | 40.5 |
| 50m | 23.63m | 32.7 |

可变换的其它安装方式
Mounting possibilities



| | | | | |
|-----------|---------|----------------|-----------|--|
| F 反力 | • 工作状态 | In service | ⊕ 自重 | 不带载荷及配重, 最大臂长及标准高度时的自重 |
| Reactions | ▪ 非工作状态 | Out of service | Self-load | Without load and counter-weight with longest jib and standard height |